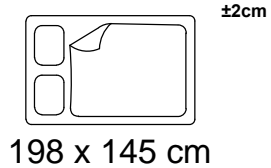
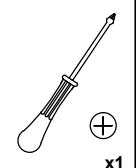
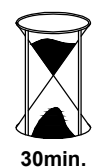
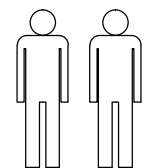
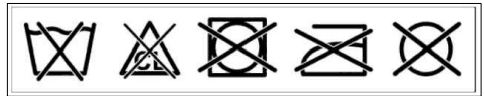
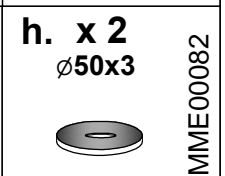
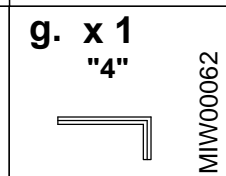
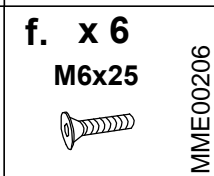
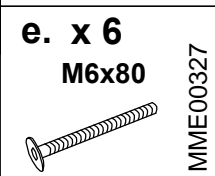
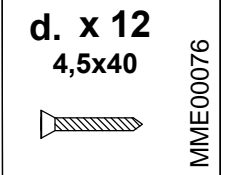
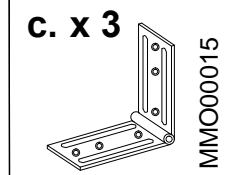
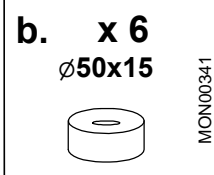
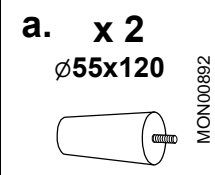
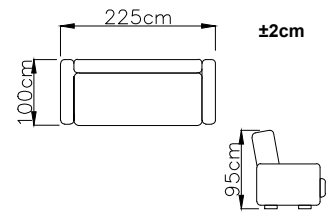
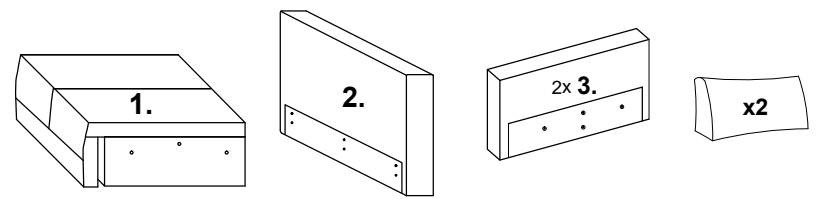


2022-10-12



MANI 3



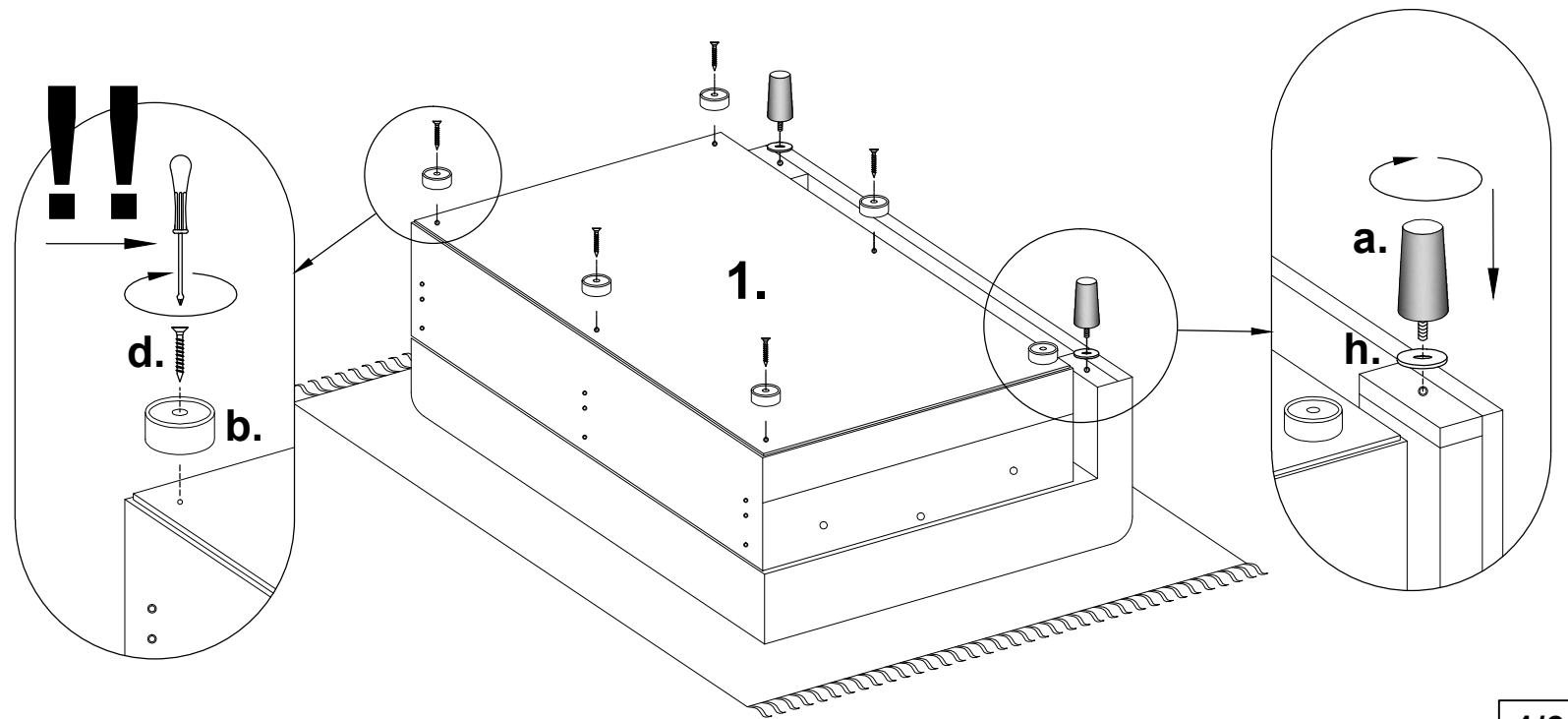
I

a. x 2 h=120

b. x 6 Ø50x15

d. x 6 4,5x40

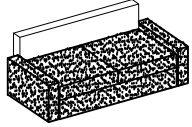
h. x 2 Ø50x3




2022-10-12

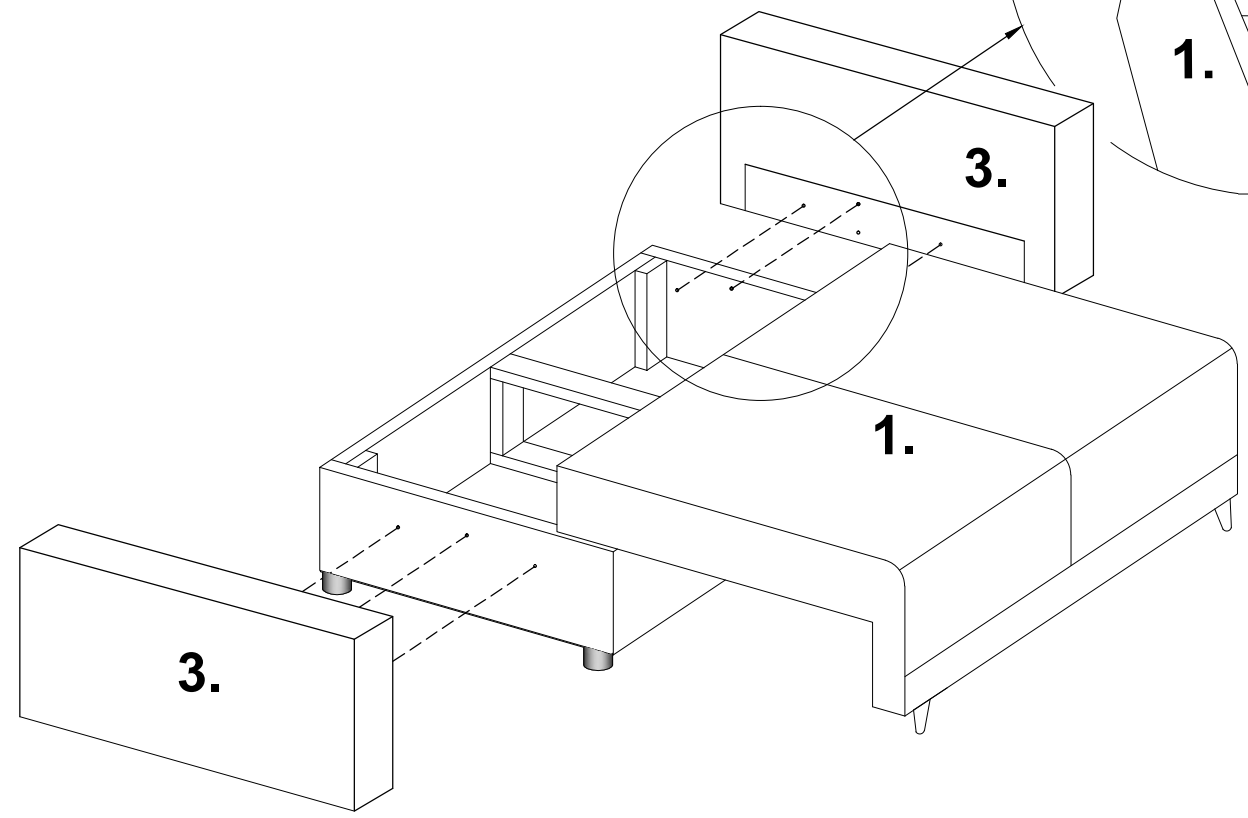
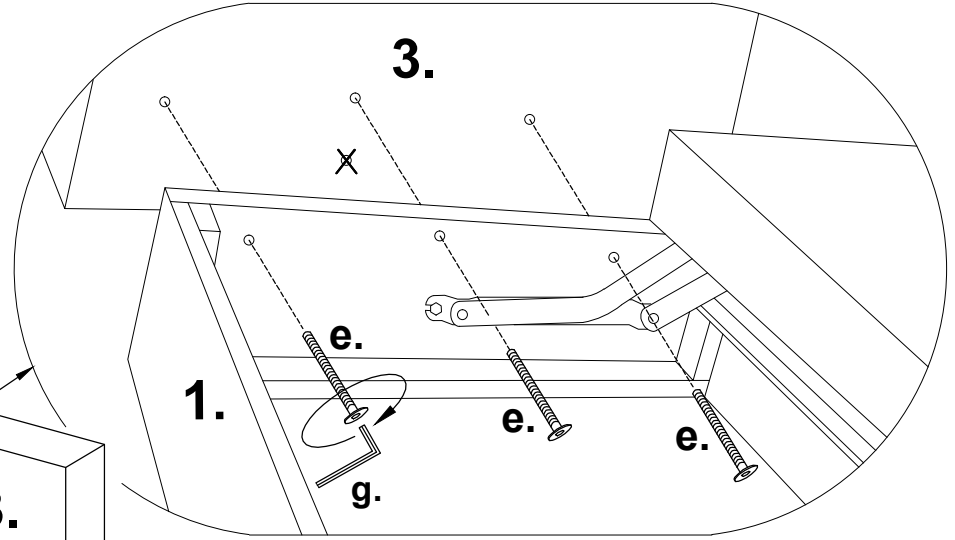
MANI 3

II



e. x 6  M6x80

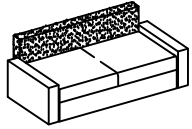
g. x 1  "4"



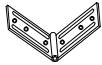
2022-10-12

MANI 3

III



c. x 3



f. x 6

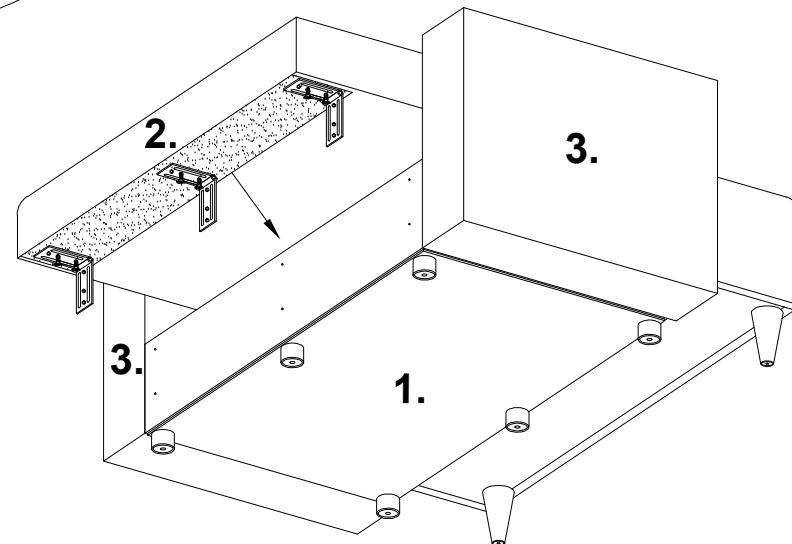
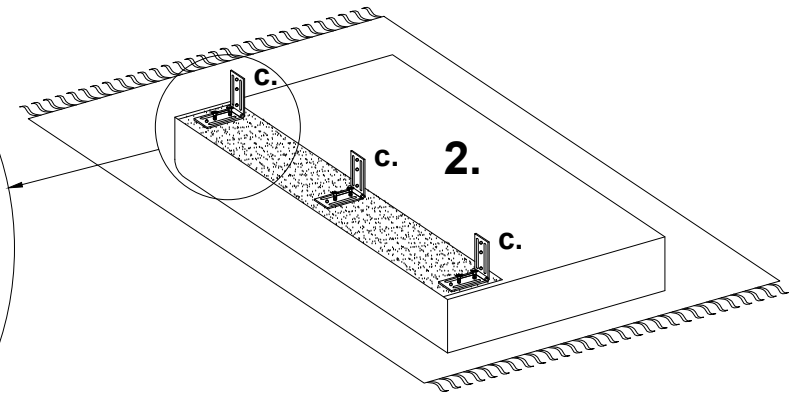
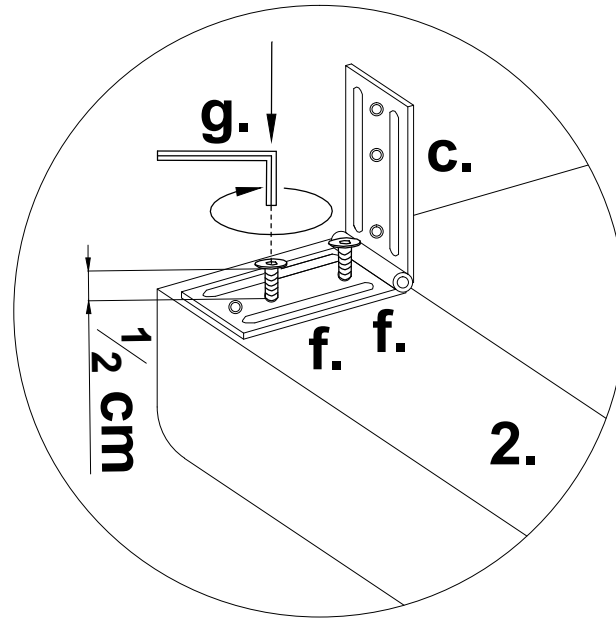


M6x25

g. x 1



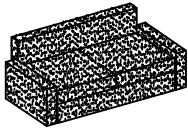
"4"



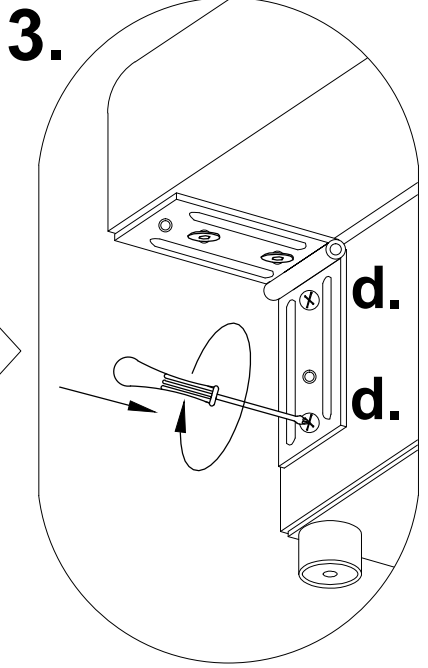
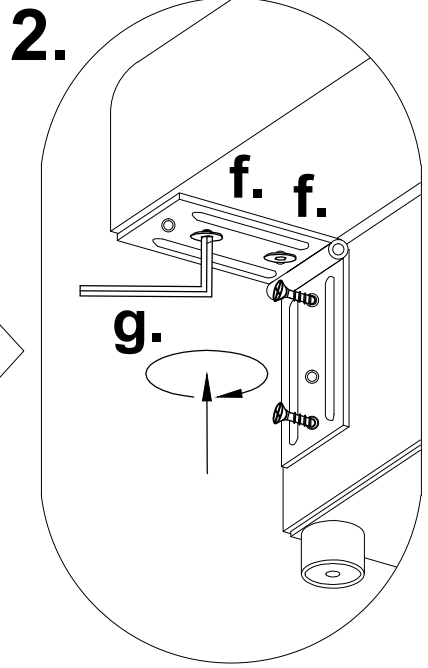
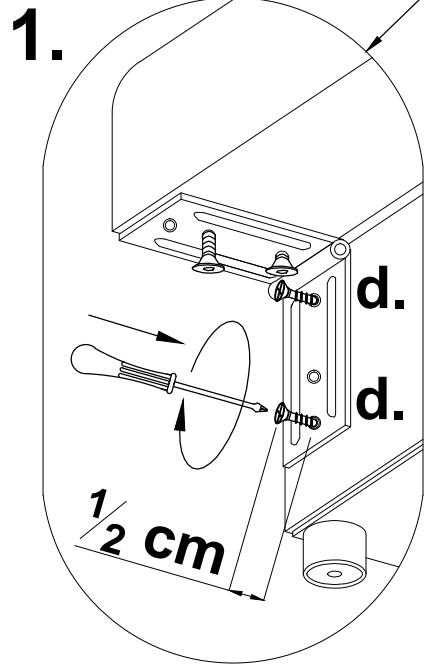
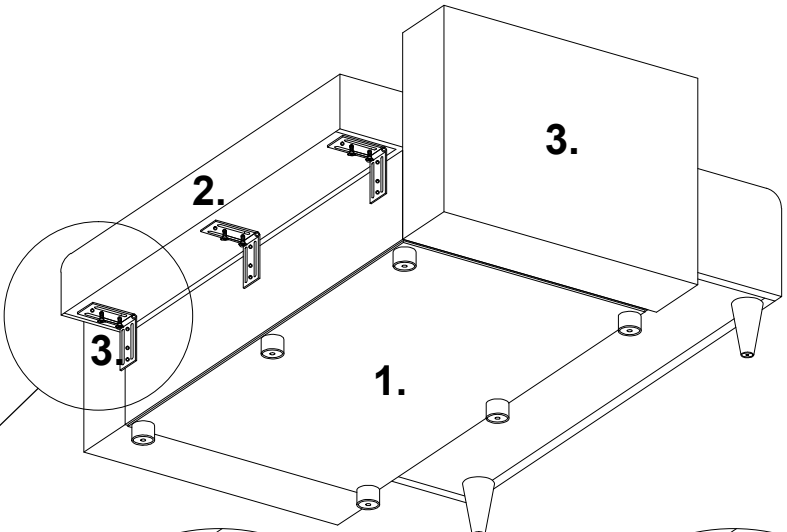
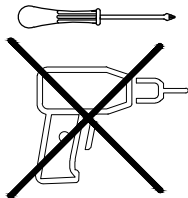
2022-10-12

MANI 3

IV



d. x 6  4,5x40



2022-10-12

MANI 3

